

BRIDGING THE GAP: LEVERAGING LLMs TO STANDARDIZE PRODUCT DESCRIPTIONS IN OIL & GAS

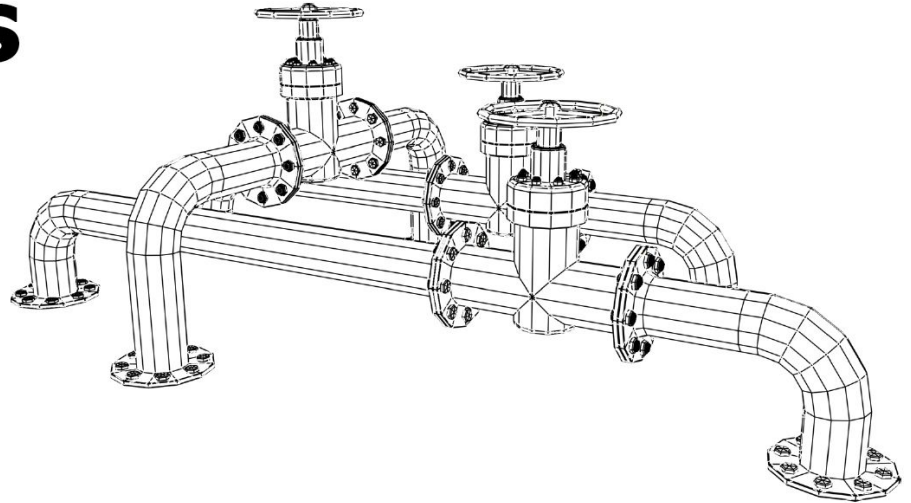


 Industrial Data Labs

MARTY DYTRYCH

CEO


Slow, manual procurement processes cost opportunities



Traditional Solutions

Manual & Time-Intensive

The Petroleum Industry Data Dictionary (PIDD) facilitates the use of standardized data and holds over 4,100 templates mapped to UNSPSC. Each template follows the recognized protocol of Noun, Modifier and attributes. Use the options below to create structured descriptions using the dictionary.



Step 1
What do you want to describe? >

Step 2
Create your clean structured description >

Step 3
Review structured ERP description

Provide an item description

Item Description

Please provide a free text description of your item

Browse the dictionary

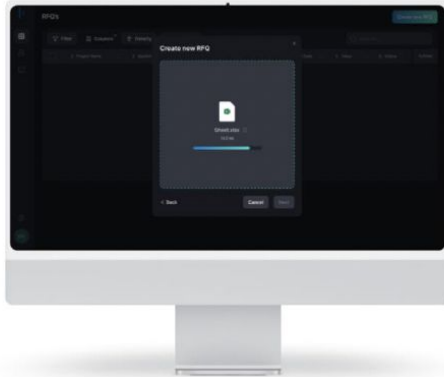
Next

Introducing PIDD translation with AI

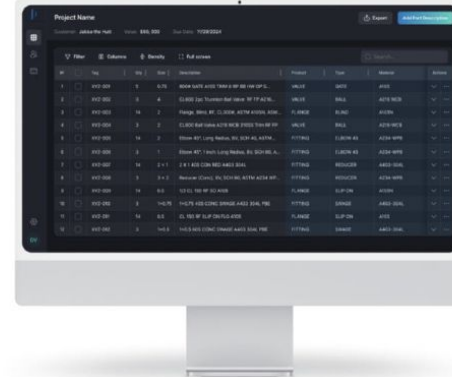
Manual data processing costs millions
in lost efficiency and revenue for
distributors and manufacturers.



AI-Powered PIDD Translation, Simplified: Proposed XLS Solution



Drag and Drop XLS



AI streamlines supplier buyouts

AI-Powered PIDD Translation, Simplified: How it Works

Descriptions

3/4 FORGED STEEL 800# REDUCED PORT BOLTED
BONNET THREADED TRIM8 GLOBE VALVE

3/4 GALVANIZED THREADED & COUPLED A106B
SCHEDULE 80 SEAMLESS PIPE

2 x 2 x 1 TEE; ASME B16.9; BE; ASTM A403 GRADE
WP316/ WP316L; TYPE S, S-405

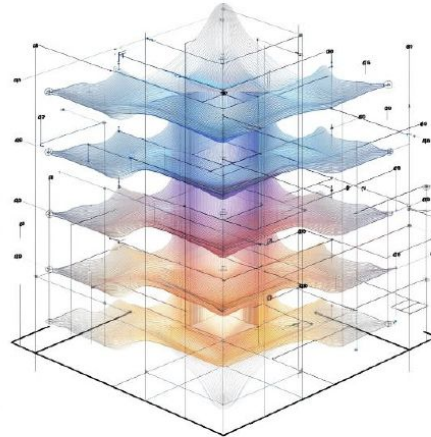
2 CARBON STEEL 600 RING TYPE JOINT BLIND
FLANGE A105N

GASKET, SPIRAL WOUND, 8" PIPE, 150 LB, 316 SS
WINDING, GRAFOIL, W/ INNER RING

LLM Configured for PIDD

AI

AI Translation Layer



Translation Complete

PIDX
INTERNATIONAL

Proof of Concept - Demo